



**30% Energy Reduction\***  
**Reduced Noise – Healthier Environment**

**Pick-up Beds/Soft-tops – No Problem!**

**POWER  
LOCK**

**ENERGY SAVING AIR VALVE BY MACNEIL**

# The Smart Way to Lock in Lower Electrical Costs

## Reduce energy consumption by up to 30%\*

The PowerLock is a lightweight energy saving air valve that allows dryers to operate continuously while preventing air flow between vehicles. This smart power-saving device minimizes peak load charges by reducing average energy levels recorded by your utility meter. **The result: increased energy efficiency and a dramatic cut in kilowatt hour charges.**

## Reduce noise and increase employee safety

The PowerLock provides a cost-effective way to significantly reduce the sound generated by car wash dryers. **The result: a car wash environment that's healthier for employees, and quieter for neighbors.**

## Eliminate debris with precise dryer control

When equipped with automatic sensing technology, the PowerLock can engage instantaneously to either delay or eliminate drying for pick-up beds or soft-top convertibles. **The result: a safer, cleaner tunnel and increased customer satisfaction.**

**Get the Lock on Utility Costs. Get MacNeil.**

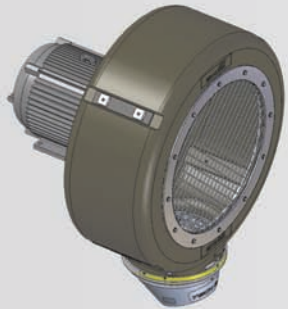
Call 1-800-361-7797 or visit us at [www.macneilwash.com](http://www.macneilwash.com).



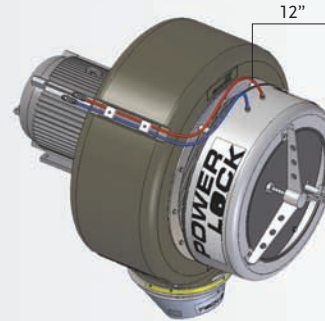
\*When PowerLock is engaged, dryer motor horsepower is reduced by 50%, averaging a 30% reduction in overall energy use.

## The PowerLock Advantage:

- When PowerLock is engaged, dryer motor horsepower decreases by 50%
- Significantly reduces dryer sound levels when engaged
- Eliminates the danger of debris flying out of pick-up truck beds
- Programmable to shut down for soft-top convertibles
- Embodies the unmatched innovation, design excellence and quality engineering that are hallmarks of MacNeil



MacNeil Tech 21 Producer without PowerLock



MacNeil Tech 21 Producer with PowerLock extended

## FEATURES

- Can be fitted to any MacNeil Tech 21 dryer
- All-aluminum construction
- Stainless steel and UHMW glide surfaces
- Incorporates sound deadening materials

## TECHNICAL DATA

### Pneumatics

Filtered air source required

1/4" Cyl. air lines

Air pressure required = 40 PSI

0.5 CFM

### Control Voltage

24 VAC control voltage signal

110 VAC available upon special request

### Operation

Minimum 12" clearance required at fan inlet

## ABOUT MACNEIL WASH SYSTEMS

Established in 1982, MacNeil Wash Systems is an ISO 9001:2000 certified manufacturer. The company designs and manufactures quality car wash systems for the tunnel car wash industry and for the automotive dealer, fleet and rental markets. With a commitment to research and development that is unmatched in the industry, it is clear to see why MacNeil products are engineered to deliver superior cleaning performance, minimize maintenance, cut costs, increase throughput, and maximize revenue.

To find out more about the MacNeil PowerLock, visit [www.macneilwash.com](http://www.macneilwash.com) or call us toll-free at 1-800-361-7797.

Specifications subject to change. Information is provided for reference only and is not to be used for installation or construction purposes. Refer to MacNeil Wash Systems equipment drawings for installation specifications. Revised March 17, 2008.